

Low Input Current, High Gain Optocouplers

Technical Data

| | |
|------------------|------------------|
| 6N139 | 6N138 |
| HCPL-0701 | HCPL-0700 |
| HCNW139 | HCNW138 |

Features

- **High Current Transfer Ratio**
– 2000% Typical (4500% Typical for HCNW139/138)
- **Low Input Current Requirements** – 0.5 mA
- **TTL Compatible Output** – 0.1 V V_{OL} Typical
- **Performance Guaranteed over Temperature** 0°C to 70°C
- **Base Access Allows Gain Bandwidth Adjustment**
- **High Output Current** – 60 mA
- **Safety Approval**
UL Recognized – 2500 V rms for 1 Minute and 5000 V rms* for 1 Minute per UL 1577
CSA Approved
VDE 0884 Approved with $V_{IORM} = 1414$ V peak for HCNW139 and HCNW138
BSI Certified (HCNW139 and HCNW138)
- **Available in 8-Pin DIP or SOIC-8 Footprint or Widebody Package**
- **MIL-STD-1772 Version Available (HCPL-5700/1)**

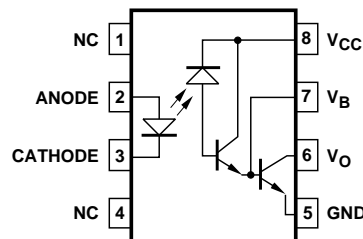
Applications

- **Ground Isolate Most Logic Families** – TTL/TTL, CMOS/TTL, CMOS/CMOS, LSTTL/TTL, CMOS/LSTTL
- **Low Input Current Line Receiver**
- **High Voltage Insulation (HCNW139/138)**
- **EIA RS-232C Line Receiver**
- **Telephone Ring Detector**
- **117 V ac Line Voltage Status Indicator** – Low Input Power Dissipation
- **Low Power Systems** – Ground Isolation

Description

These high gain series couplers use a Light Emitting Diode and an integrated high gain photodetector to provide extremely high current transfer ratio between input and output. Separate pins for the photodiode and output stage result in TTL compatible saturation voltages and high speed operation. Where desired the V_{CC} and V_O terminals may be tied together to achieve conventional photodarlington operation. A base access terminal allows a gain bandwidth adjustment to be made.

Functional Diagram



TRUTH TABLE

| LED | V_O |
|-----|-------|
| ON | LOW |
| OFF | HIGH |

*5000 V rms/1 minute rating is for HCNW139/138 and Option 020 (6N139/138) products only. A 0.1 μ F bypass capacitor connected between pins 8 and 5 is recommended.

CAUTION: It is advised that normal static precautions be taken in handling and assembly of this component to prevent damage and/or degradation which may be induced by ESD.

The 6N139, HCPL-0701, and CNW139 are for use in CMOS, LSTTL or other low power applications. A 400% minimum current transfer ratio is guaranteed over 0 to 70°C operating range for only 0.5 mA of LED current.

The 6N138, HCPL-0700, and HCNW138 are designed for use mainly in TTL applications. Current Transfer Ratio (CTR) is 300% minimum over 0 to 70°C for an LED current of 1.6 mA

(1 TTL Unit load). A 300% minimum CTR enables operation with 1 TTL Load using a 2.2 kΩ pull-up resistor.

Selection for lower input current down to 250 μA is available upon request.

The HCPL-0701 and HCPL-0700 are surface mount devices packaged in an industry standard SOIC-8 footprint.

The SOIC-8 does not require “through holes” in a PCB. This package occupies approximately one-third the footprint area of the standard dual-in-line package. The lead profile is designed to be compatible with standard surface mount processes.

The HCNW139 and HCNW138 are packaged in a widebody encapsulation that provides creepage and clearance dimensions suitable for safety approval by regulatory agencies worldwide.

Selection Guide

| 8-Pin DIP (300 Mil) | | Small Outline SO-8 | | Widebody Package (400 mil) | Minimum Input ON Current (I _F) | Minimum CTR | Absolute Maxi- mum V _{CC} | Hermetic |
|------------------------------|-------------------------------------|---------------------------------------|-------------------------------------|----------------------------------|-----------------------------------------------------|----------------|---------------------------------------------|------------------------------------------------------------------------------------------|
| Single Channel Package | Dual Channel Package HCPL- | Single Channel Package HCPL- | Dual Channel Package HCPL- | Single Channel Package | | | | Single and Dual Channel Packages HCPL- |
| 6N139 | 2731 ^[1] | 0701 | 0731 | HCNW139 | 0.5 mA | 400% | 18 V | |
| 6N138 | 2730 ^[1] | 0700 | 0730 | HCNW138 | 1.6 mA | 300% | 7 V | |
| HCPL-4701 ^[1] | 4731 ^[1] | 070A ^[1] | 073A ^[1] | | 40 μA | 800% | 18 V | |
| | | | | | 0.5 mA | 300% | 20 V | 5701 ^[1] 5700 ^[1] 5731 ^[1] 5730 ^[1] |

Note:

1. Technical data are on separate HP publications.

Ordering Information

Specify Part Number followed by Option Number (if desired).

Example:

6N139#XXX

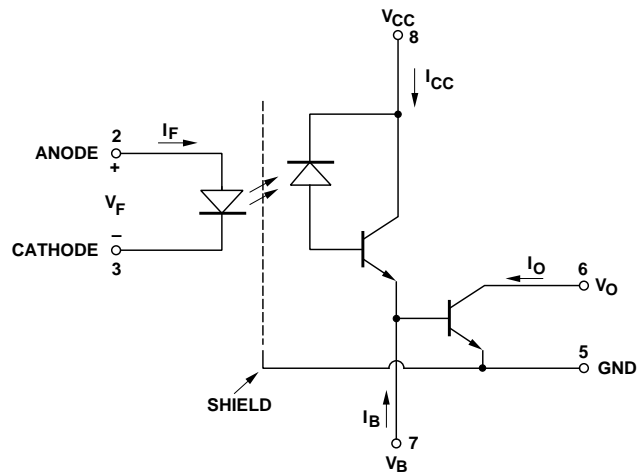
- 020 = 5000 V rms/1 Minute UL Rating Option*
- 300 = Gull Wing Surface Mount Option†
- 500 = Tape and Reel Packaging Option

Option data sheets available. Contact your Hewlett-Packard sales representative or authorized distributor for information.

*For 6N139 and 6N138 only.

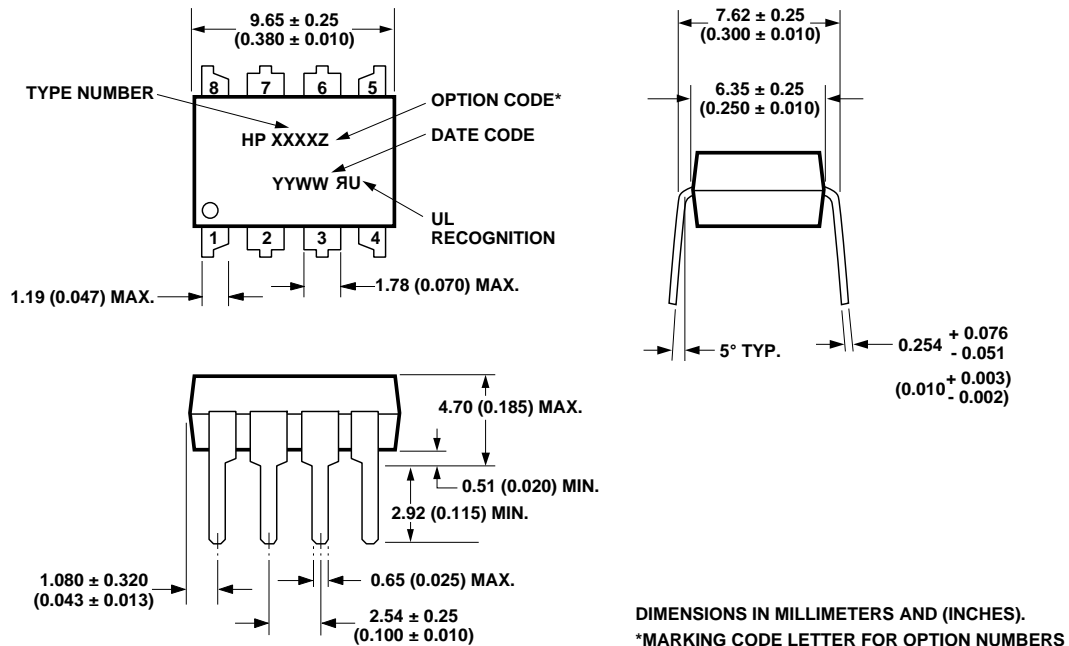
†Gull wing surface mount option applies to through hole parts only.

Schematic



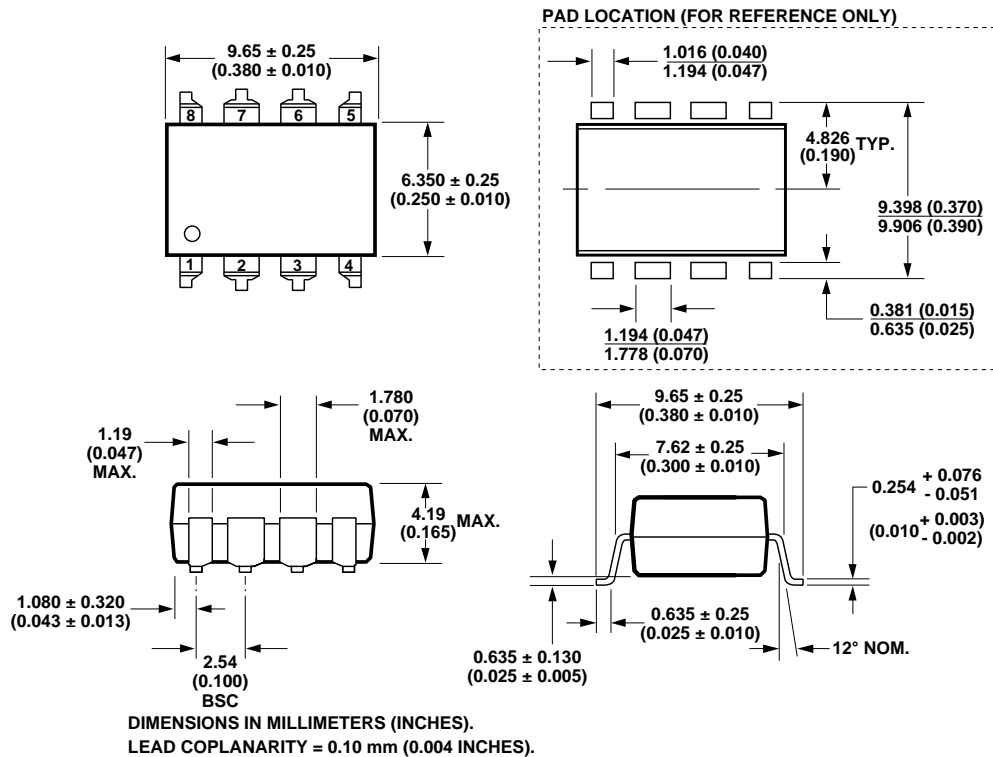
Package Outline Drawings

8-Pin DIP Package (6N139/6N138)**

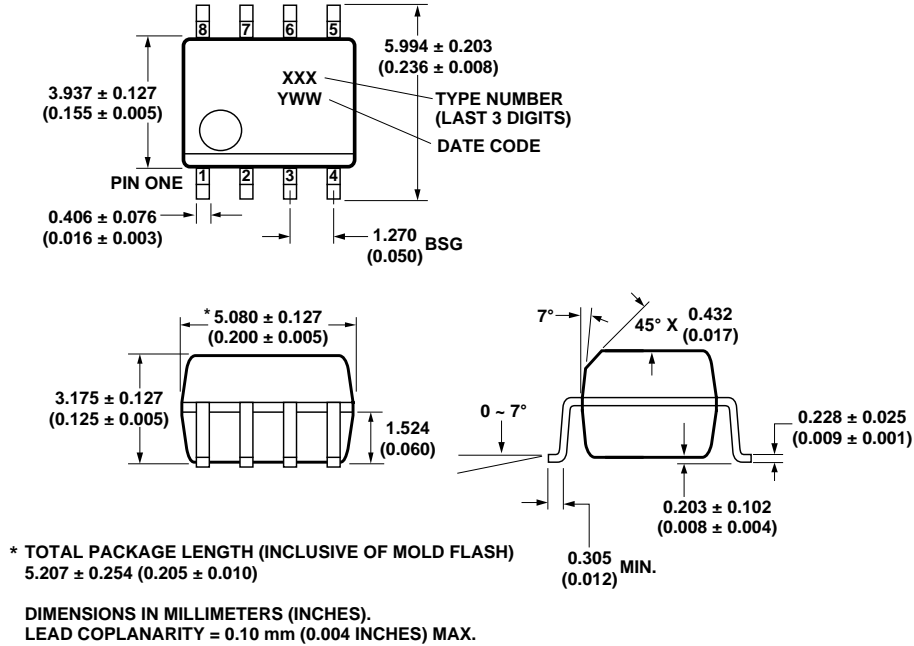


**JEDEC Registered Data.

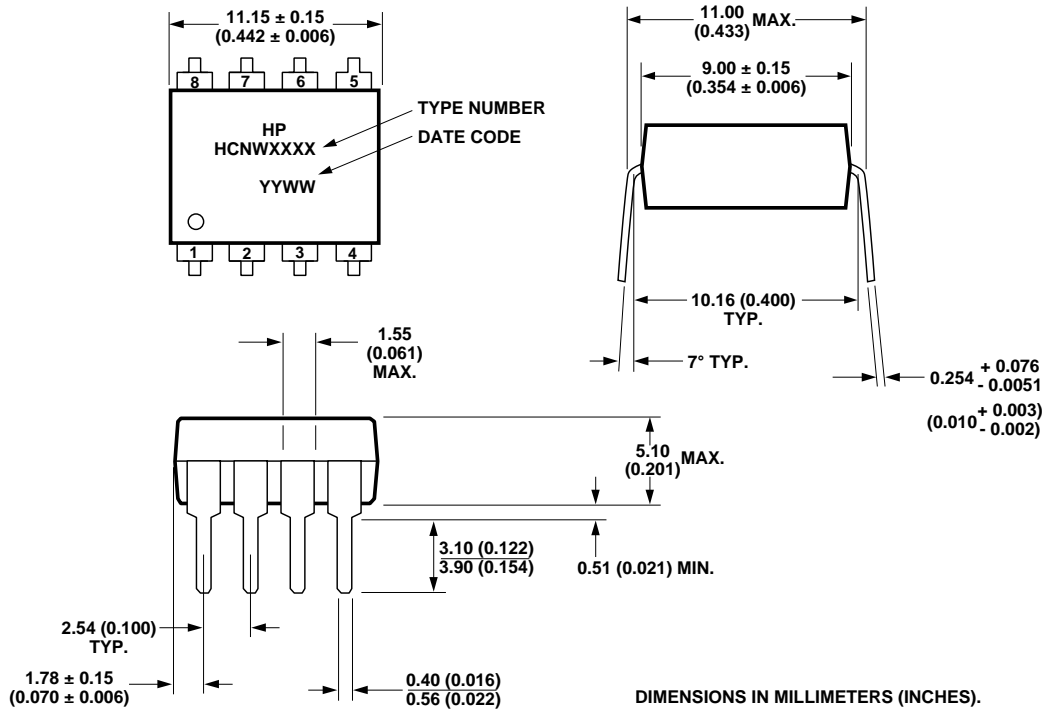
8-Pin DIP Package with Gull Wing Surface Mount Option 300 (6N139/6N138)



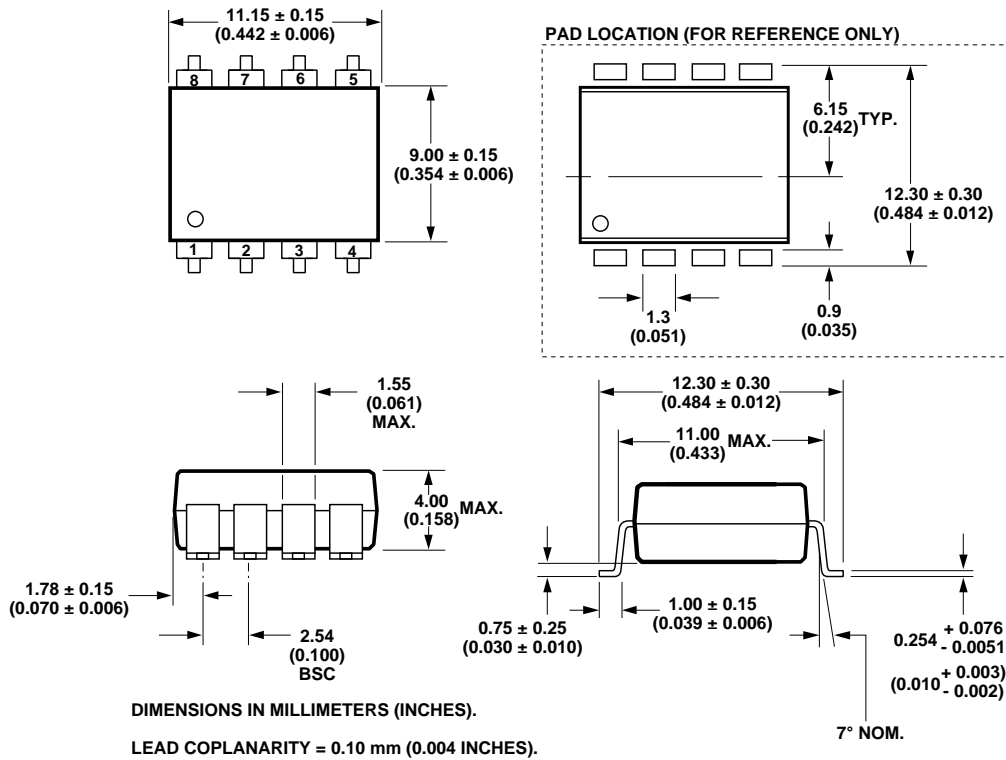
Small Outline SO-8 Package (HCPL-0701/HCPL-0700)



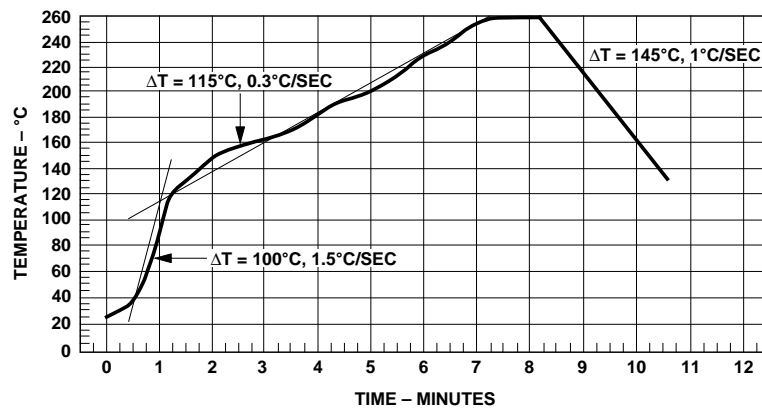
8-Pin Widebody DIP Package (HCNW139/HCNW138)



8-Pin Widebody DIP Package with Gull Wing Surface Mount Option 300 (HCNW139/HCNW138)



Solder Reflow Temperature Profile (HCPL-07XX and Gull Wing Surface Mount Option 300 Parts)



Note: Use of nonchlorine activated fluxes is highly recommended.

Regulatory Information

The 6N139/138, HCNW139/138, and HCPL-0701/0700 have been approved by the following organizations:

UL

Recognized under UL 1577, Component Recognition Program, File E55361.

CSA

Approved under CSA Component Acceptance Notice #5, File CA 88324.

VDE

Approved according to VDE 0884/06.92 (HCNW139/138 only).

BSI

Certification according to BS415:1994, (BS EN60065:1994); BS EN60950:1992 (BS7002:1992) and EN41003:1993 for Class II applications (HCNW139/HCNW138 only.)

Insulation and Safety Related Specifications

| Parameter | Symbol | 8-Pin DIP (300 Mil) Value | SO-8 Value | Widebody (400 Mil) Value | Units | Conditions |
|---------------------------------------------------|--------|---------------------------------|---------------|--------------------------------|-------|------------------------------------------------------------------------------------------------------------------------------------------------------------|
| Minimum External Air Gap (External Clearance) | L(101) | 7.1 | 4.9 | 9.6 | mm | Measured from input terminals to output terminals, shortest distance through air. |
| Minimum External Tracking (External Creepage) | L(102) | 7.4 | 4.8 | 10.0 | mm | Measured from input terminals to output terminals, shortest distance path along body. |
| Minimum Internal Plastic Gap (Internal Clearance) | | 0.08 | 0.08 | 1.0 | mm | Through insulation distance, conductor to conductor, usually the direct distance between the photoemitter and photodetector inside the optocoupler cavity. |
| Minimum Internal Tracking (Internal Creepage) | | NA | NA | 4.0 | mm | Measured from input terminals to output terminals, along internal cavity. |
| Tracking Resistance (Comparative Tracking Index) | CTI | 200 | 200 | 200 | Volts | DIN IEC 112/VDE 0303 Part 1 |
| Isolation Group | | IIIa | IIIa | IIIa | | Material Group (DIN VDE 0110, 1/89, Table 1) |

Option 300 - surface mount classification is Class A in accordance with CECC 00802.

VDE 0884 Insulation Related Characteristics (HCNW139 and HCNW138)

| Description | Symbol | Characteristic | Units |
|----------------------------------------------------------------------------------------------------------------------------------------------------------------------------------------------------------------|----------------|----------------|-------------------|
| Installation Classification per DIN VDE 0110/1.89, Table 1 for rated mains voltage ≤ 600 V rms for rated mains voltage ≤ 1000 V rms | | I-IV | |
| | | I-III | |
| Climatic Classification | | 55/100/21 | |
| Pollution Degree (DIN VDE 0110/1.89) | | 2 | |
| Maximum Working Insulation Voltage | V_{IORM} | 1414 | V _{peak} |
| Input to Output Test Voltage, Method b* $V_{PR} = 1.875 \times V_{IORM}$, 100% Production Test with $t_p = 1$ sec, Partial Discharge < 5 pC | V_{PR} | 2652 | V _{peak} |
| Input to Output Test Voltage, Method a* $V_{PR} = 1.5 \times V_{IORM}$, Type and Sample Test, $t_p = 60$ sec, Partial Discharge < 5 pC | V_{PR} | 2121 | V _{peak} |
| Highest Allowable Overvoltage* (Transient Overvoltage, $t_{ini} = 10$ sec) | V_{IOTM} | 8000 | V _{peak} |
| Safety Limiting Values (Maximum values allowed in the event of a failure, also see Figure 11, Thermal Derating curve.) Case Temperature Current (Input Current I_F , $P_S = 0$) Output Power | T_S | 175 | °C |
| | $I_{S,INPUT}$ | 400 | mA |
| | $P_{S,OUTPUT}$ | 700 | mW |
| Insulation Resistance at T_S , $V_{IO} = 500$ V | R_S | $> 10^9$ | Ω |

*Refer to the front of the optocoupler section of the current catalog, under Product Safety Regulations section, (VDE 0884) for a detailed description.

Note: Isolation characteristics are guaranteed only within the safety maximum ratings which must be ensured by protective circuits in application.

Absolute Maximum Ratings* (No Derating Required up to 85°C)

| Parameter | Symbol | Min. | Max. | Units |
|--------------------------------------------------------------------|---------------|-----------------------------------------------|------|-------|
| Storage Temperature | T_S | -55 | 125 | °C |
| Operating Temperature** | T_A | -40 | 85 | °C |
| Average Forward Input Current | $I_{F(AVG)}$ | | 20 | mA |
| Peak Forward Input Current (50% Duty Cycle, 1 ms Pulse Width) | I_{FPK} | | 40 | mA |
| Peak Transient Input Current ($<1 \mu s$ Pulse Width, 300 pps) | $I_{F(TRAN)}$ | | 1.0 | A |
| Reverse Input Voltage | V_R | | 5 | V |
| HCNW139/138 | | | 3 | V |
| Input Power Dissipation | P_I | | 35 | mW |
| Output Current (Pin 6) | I_O | | 60 | mA |
| Emitter Base Reverse Voltage (Pin 5-7) | V_{EB} | | 0.5 | V |
| Supply Voltage and Output Voltage (6N139, HCPL-0701, HCNW139) | V_{CC} | -0.5 | 18 | V |
| Supply Voltage and Output Voltage (6N138, HCPL-0700, HCNW138) | V_{CC} | -0.5 | 7 | V |
| Output Power Dissipation | P_O | | 100 | mW |
| Total Power Dissipation | P_T | | 135 | mW |
| Lead Solder Temperature (for Through Hole Devices) | | 260°C for 10 sec., 1.6 mm below seating plane | | |
| HCNW139/138 | | 260°C for 10 sec., up to seating plane | | |
| Reflow Temperature Profile (for SOIC-8 and Option #300) | | See Package Outline Drawings section | | |

*JEDEC Registered Data for 6N139 and 6N138.

**0°C to 70°C on JEDEC Registration.

Recommended Operating Conditions

| Parameter | Symbol | Min. | Max. | Units |
|-----------------------------|--------------|------|------|-------|
| Power Supply Voltage | V_{CC} | 4.5 | 18 | V |
| Forward Input Current (ON) | $I_{F(ON)}$ | 0.5 | 12.0 | mA |
| Forward Input Voltage (OFF) | $V_{F(OFF)}$ | 0 | 0.8 | V |
| Operating Temperature | T_A | 0 | 70 | °C |

Electrical Specifications

0°C ≤ T_A ≤ 70°C, 4.5 V ≤ V_{CC} ≤ 18 V, 0.5 mA ≤ I_{F(ON)} ≤ 12 mA, 0 V ≤ V_{F(OFF)} ≤ 0.8 V, unless otherwise specified. All Typicals at T_A = 25°C. See Note 7.

| Parameter | Sym. | Device | Min. | Typ.** | Max. | Units | Test Conditions | Fig. | Note | | |
|--------------------------------------------|---------------------------------|---------------------------------|------|--------|------|-------|------------------------------------------------------------------------------|-------------------------|---------|---|----------------------------------------------------|
| Current Transfer Ratio | CTR | 6N139 HCPL-0701 | 400* | 2000 | 5000 | % | I _F = 0.5 mA V _{CC} = 4.5 V V _O = 0.4 V | 2, 3 | 1, 2, 4 | | |
| | | HCNW139 | 400 | 4500 | | | | | | | |
| | | 6N139 HCPL-0701 | 500* | 1600 | 2600 | | I _F = 1.6 mA | | | | |
| | | HCNW139 | 500 | 3000 | | | | | | | |
| | | | 300 | 1600 | | | I _F = 5.0 mA | | | | |
| | | | 200 | 850 | | | I _F = 12 mA | | | | |
| | | 6N138 HCPL-0700 | 300* | 1600 | 2600 | | I _F = 1.6 mA | | | | |
| | | HCNW138 | | 1500 | | | | | | | |
| Logic Low Output Voltage | V _{OL} | 6N139 HCPL-0701 HCNW139 | | 0.1 | 0.4 | V | I _F = 0.5 mA, I _O = 2 mA | V _{CC} = 4.5 | 1 | 2 | |
| | | | | | | | | | | | I _F = 1.6 mA, I _O = 8 mA |
| | | | | | | | | | | | I _F = 5.0 mA, I _O = 15 mA |
| | | | 0.2 | | | | I _F = 12 mA, I _O = 24 mA | | | | |
| | | 6N138 HCPL-0700 HCNW138 | | 0.1 | | | I _F = 1.6 mA, I _O = 4.8 mA | | | | |
| Logic High Output Current | I _{OH} | 6N139 HCPL-0701 HCNW139 | | 0.05 | 100 | μA | V _O = V _{CC} = 18 V | I _F = 0 mA | | 2 | |
| | | 6N138 HCPL-0700 HCNW138 | | 0.1 | 250 | | V _O = V _{CC} = 7 V | | | | |
| Logic Low Supply Current | I _{CCL} | 6N138/139 HCPL-0701/ 0700 | | 0.4 | 1.5 | mA | I _F = 1.6 mA, V _O = Open, V _{CC} = 18 V | 10 | 2 | | |
| | | HCNW139 HCNW138 | | 0.5 | 2 | | | | | | |
| Logic High Supply Current | I _{CCH} | 6N138/139 HCPL-0701/ 0700 | | 0.01 | 10 | μA | I _F = 0 mA, V _O = Open, V _{CC} = 18 V | | 2 | | |
| | | HCNW139 HCNW138 | | | 1 | | | | | | |
| Input Forward Voltage | V _F | 6N138 | 1.25 | 1.40 | 1.7* | V | T _A = 25°C | I _F = 1.6 mA | 4, 8 | | |
| | | 6N139 | | | 1.75 | | | | | | |
| | | HCPL-0701 HCPL-0700 | | | | | T _A = 25°C | | | | |
| | | HCNW139 HCNW138 | 1.0 | 1.45 | 1.85 | | | | | | |
| | 0.95 | | 1.95 | | | | | | | | |
| Input Reverse Breakdown Voltage | BVR | | 5.0* | | | V | I _R = 10 μA, T _A = 25°C | | | | |
| | | HCNW139 HCNW138 | 3.0 | | | | I _R = 100 μA, T _A = 25°C | | | | |
| Temperature Coefficient of Forward Voltage | $\frac{\Delta V_F}{\Delta T_A}$ | | | -1.8 | | mV/°C | I _F = 1.6 mA | 8 | | | |
| Input Capacitance | C _{IN} | | | 60 | | pF | f = 1 MHz, V _F = 0 V | | | | |
| | | HCNW139 HCNW138 | | 90 | | | | | | | |

*JEDEC Registered Data for 6N139 and 6N138.

**All typical values at T_A = 25°C and V_{CC} = 5 V, unless otherwise noted.

Switching Specifications (AC)

Over recommended operating conditions ($T_A = 0$ to 70°C), $V_{CC} = 5$ V, unless otherwise specified.

| Parameter | Sym. | Device | Min. | Typ.** | Max. | Units | Test Conditions | Fig. | Note |
|-----------------------------------------------------------|-----------|-----------|------|--------|------|------------------|-----------------------------------------------------------------------------------------------|----------------------|------|
| Propagation Delay Time to Logic Low at Output | t_{PHL} | 6N139 | | 5 | 25* | μs | $T_A = 25^\circ\text{C}$ | 5, 6, 7, 9, 12 | 2, 4 |
| | | HCPL-0701 | | | 30 | | $I_F = 0.5$ mA, $R_l = 4.7$ k Ω | | |
| | | HCNW139 | | | | | | | |
| | | 6N139 | | 0.2 | 1* | μs | $T_A = 25^\circ\text{C}$ | | |
| | | HCPL-0701 | | | 2 | | $I_F = 12$ mA, $R_l = 270$ Ω | | |
| | | HCNW139 | | | 1.1 | | | | |
| | | 6N138 | | 1.6 | 10* | μs | $T_A = 25^\circ\text{C}$ | | |
| | | HCPL-0700 | | | 15 | | $I_F = 1.6$ mA, $R_l = 2.2$ k Ω | | |
| | | HCNW138 | | | 11 | | | | |
| Propagation Delay Time to Logic High at Output | t_{PLH} | 6N139 | | 18 | 60* | μs | $T_A = 25^\circ\text{C}$ | 5, 6, 7, 9, 12 | 2, 4 |
| | | HCPL-0701 | | | 90 | | $I_F = 0.5$ mA, $R_l = 4.7$ k Ω | | |
| | | HCNW139 | | | 115 | | | | |
| | | 6N139 | | 2 | 7* | μs | $T_A = 25^\circ\text{C}$ | | |
| | | HCPL-0701 | | | 10 | | $I_F = 12$ mA, $R_l = 270$ Ω | | |
| | | HCNW139 | | | 1.1 | | | | |
| | | 6N138 | | 10 | 35* | μs | $T_A = 25^\circ\text{C}$ | | |
| | | HCPL-0700 | | | | | $I_F = 1.6$ mA, $R_l = 2.2$ k Ω | | |
| | | HCNW138 | | | | | | | |
| | 6N138 | | | 50 | | | | | |
| | HCPL-0700 | | | | | | | | |
| | HCNW139 | | | 70 | | | | | |
| Common Mode Transient Immunity at Logic High Output | $ CM_H $ | | 1000 | 10000 | | V/ μs | $I_F = 0$ mA, $T_A = 25^\circ\text{C}$ $R_l = 2.2$ k Ω $ V_{CM} = 10$ Vp-p | 13 | 5, 6 |
| Common Mode Transient Immunity at Logic Low Output | $ CM_L $ | | 1000 | 10000 | | V/ μs | $I_F = 1.6$ mA, $T_A = 25^\circ\text{C}$ $R_l = 2.2$ k Ω $ V_{CM} = 10$ Vp-p | 13 | 5, 6 |

*JEDEC Registered Data for 6N139 and 6N138.

**All typical values at $T_A = 25^\circ\text{C}$ and $V_{CC} = 5$ V, unless otherwise noted.

Package Characteristics

| Parameter | Sym. | Min. | Typ.** | Max. | Units | Test Conditions | Fig. | Note |
|-------------------------------------------|------------------|------|------------------|------|-------|------------------------------------------------|------|------|
| Input-Output Momentary Withstand Voltage† | V _{ISO} | 2500 | | | V rms | RH < 50%, t = 1 min., T _A = 25°C | | 3, 8 |
| | | 5000 | | | | | | 3, 9 |
| Resistance (Input-Output) | R _{I-O} | | 10 ¹² | | Ω | V _{I-O} = 500 Vdc RH < 45% | | 3 |
| Capacitance (Input-Output) | C _{I-O} | | 0.6 | | pF | f = 1 MHz | | 3 |

**All typicals at T_A = 25°C, unless otherwise noted.

†The Input-Output Momentary Withstand Voltage is a dielectric voltage rating that should not be interpreted as an input-output continuous voltage rating. For the continuous voltage rating refer to the VDE 0884 Insulation Characteristics Table (if applicable), your equipment level safety specification or HP Application Note 1074 entitled "Optocoupler Input-Output Endurance Voltage."

Notes:

- DC CURRENT TRANSFER RATIO (CTR) is defined as the ratio of output collector current, I_O, to the forward LED input current, I_F, times 100%.
- Pin 7 Open.
- Device considered a two-terminal device. Pins 1, 2, 3, and 4 shorted together and Pins 5, 6, 7, and 8 shorted together.
- Use of a resistor between pin 5 and 7 will decrease gain and delay time. Significant reduction in overall gain can occur when using resistor values below 47 kΩ. For more information, please contact your local HP Components representative.
- Common mode transient immunity in a Logic High level is the maximum toler-

- able (positive) dV_{CM}/dt of the common mode pulse, V_{CM}, to assure that the output will remain in a Logic High state (i.e., V_O > 2.0 V). Common mode transient immunity in a Logic Low level is the maximum tolerable (negative) dV_{CM}/dt of the common mode pulse, V_{CM}, to assure that the output will remain in a Logic Low state (i.e., V_O < 0.8 V).
- In applications where dV/dt may exceed 50,000 V/μs (such as static discharge) a series resistor, R_{CC}, should be included to protect the detector IC from destructively high surge currents. The recommended value is R_{CC} = 220 Ω.
 - Use of a 0.1 μF bypass capacitor connected between pins 8 and 5 adjacent to the device is recommended.

- In accordance with UL 1577, each optocoupler is proof tested by applying an insulation test voltage 3000 V rms for 1 second (leakage detection current limit, I_{I-O} < 5 μA). This test is performed before the 100% production test shown in the VDE 0884 Insulation Related Characteristics Table, if applicable.
- In accordance with UL 1577, each optocoupler is proof tested by applying an insulation test voltage > 6000 V rms for 1 second (leakage detection current limit, I_{I-O} < 5 μA). This test is performed before the 100% production test for partial discharge (method b) shown in the VDE 0884 Insulation Related Characteristics Table, if applicable.

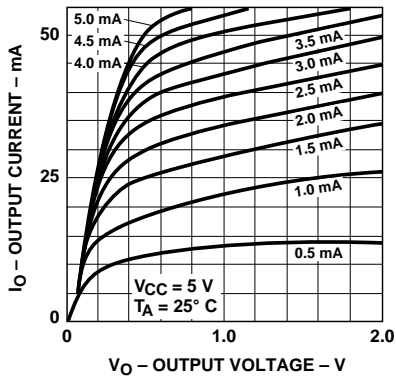


Figure 1. 6N138/6N139 DC Transfer Characteristics.

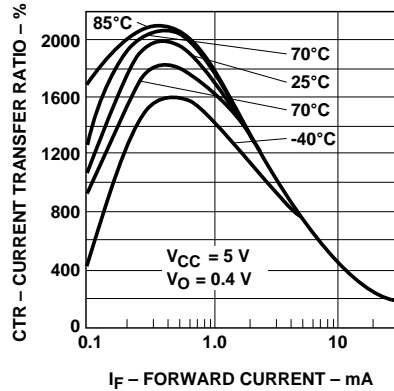


Figure 2. Current Transfer Ratio vs. Forward Current 6N138/6N139.

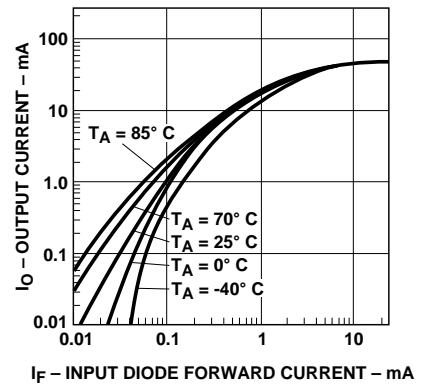


Figure 3. 6N138/6N139 Output Current vs. Input Diode Forward Current.

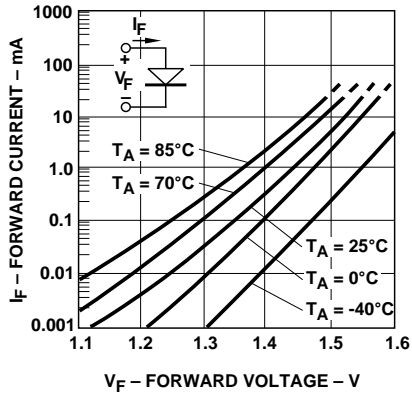


Figure 4. Input Diode Forward Current vs. Forward Voltage.

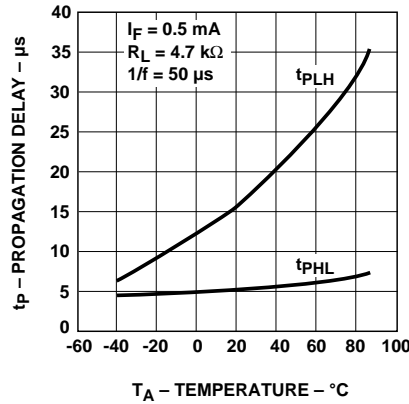


Figure 5. Propagation Delay vs. Temperature.

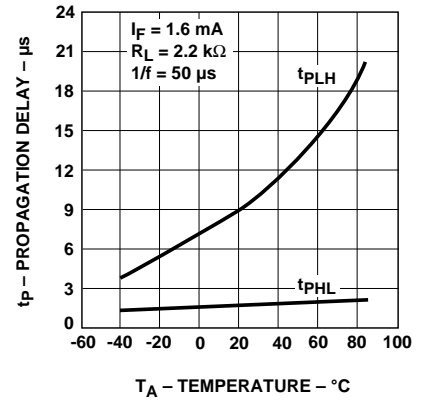


Figure 6. Propagation Delay vs. Temperature.

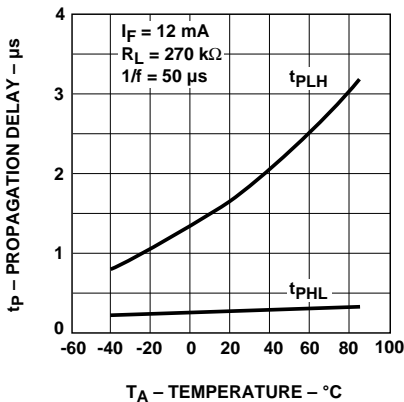


Figure 7. Propagation Delay vs. Temperature.

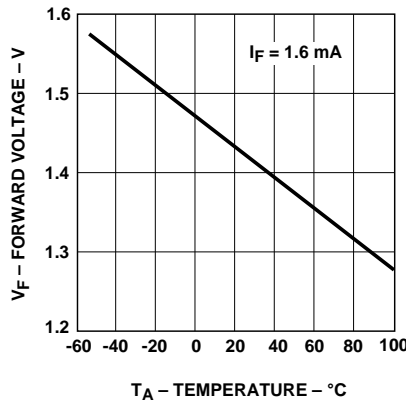


Figure 8. Forward Voltage vs. Temperature.

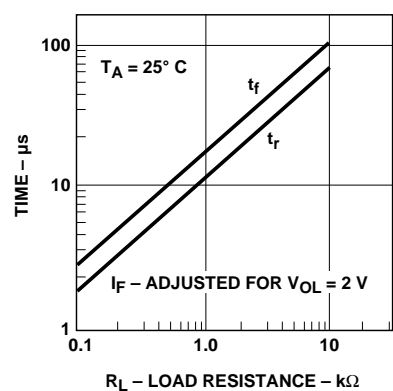


Figure 9. Nonsaturated Rise and Fall Times vs. Load Resistance.

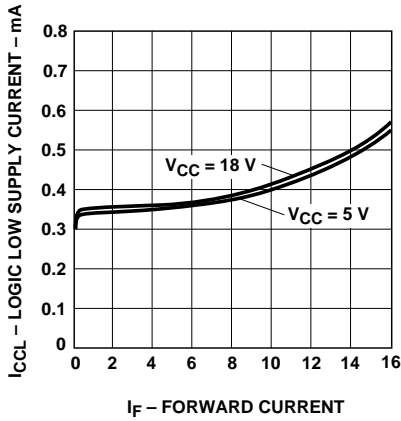


Figure 10. Logic Low Supply Current vs. Forward Current.

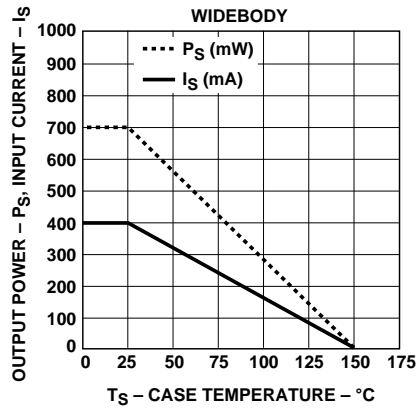


Figure 11. Thermal Derating Curve, Dependence of Safety Limiting Value with Case Temperature per VDE 0884.

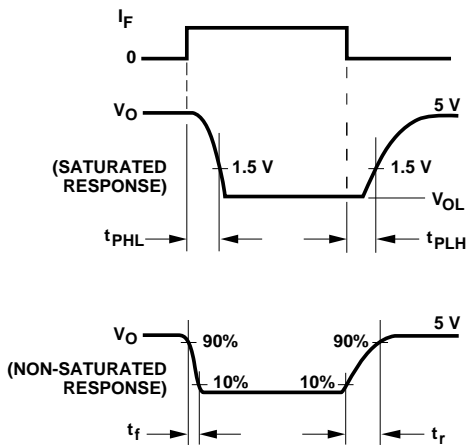
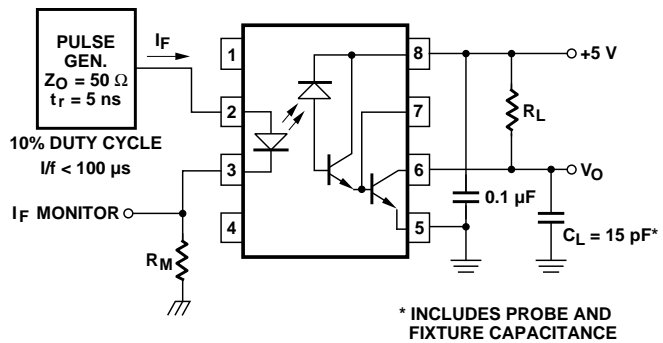


Figure 12. Switching Test Circuit.



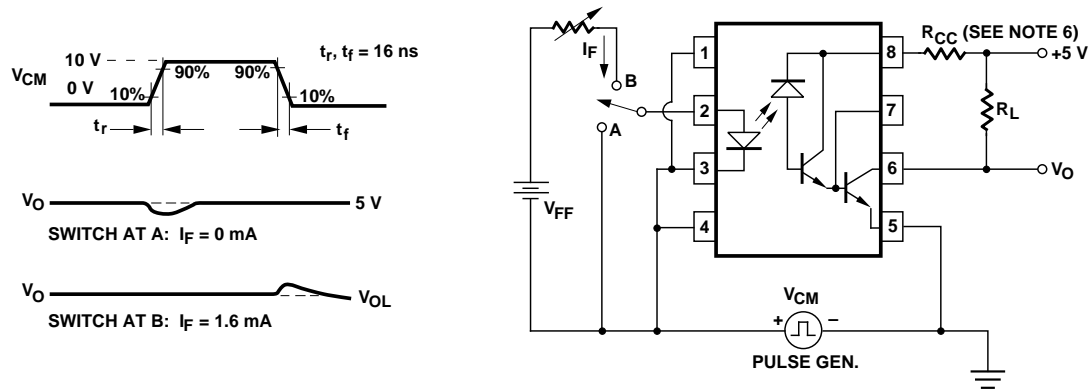


Figure 13. Test Circuit for Transient Immunity and Typical Waveforms.



www.hp.com/go/isolator

For technical assistance or the location of your nearest Hewlett-Packard sales office, distributor or representative call:

Americas/Canada: 1-800-235-0312 or 408-654-8675

Far East/Australasia: Call your local HP sales office.

Japan: (81 3) 3335-8152

Europe: Call your local HP sales office.

Data subject to change.

Copyright © 1998 Hewlett-Packard Co.

Obsoletes 5965-3599E

Printed in U.S.A. 5968-1085E (7/98)